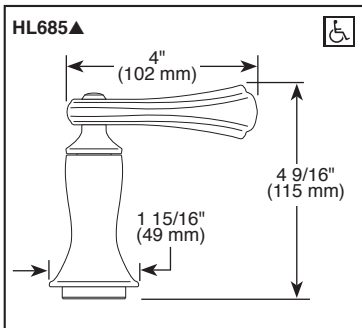
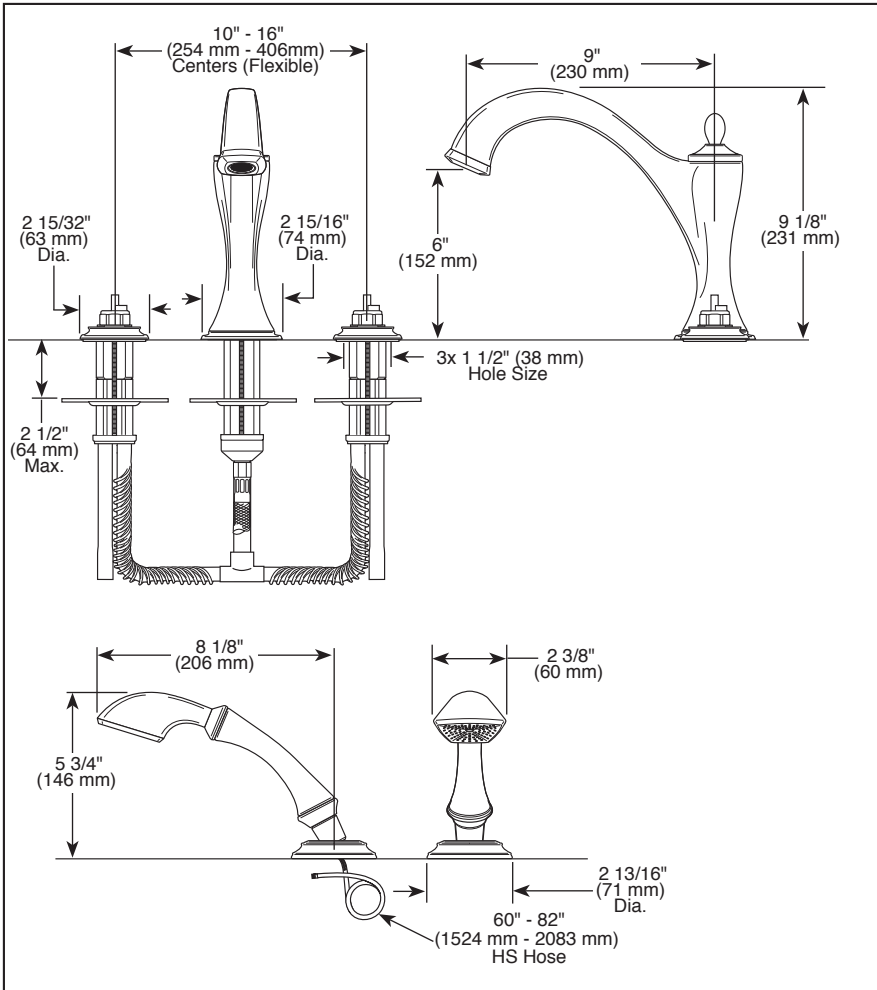


Submitted Model No.: \_\_\_\_\_

Specific Features: \_\_\_\_\_



▲ Designate proper finish suffix

# BRIZO®

## ROMAN TUB/WHIRLPOOL FAUCET TRIM

- Charlotte™ Two Handle Roman Tub Trim
- Three Hole Applications (T67385-LHP)
- Four Hole Applications (T67485-LHP)
- Temperature and Volume Controlled With Handles
- Flexible Ledge Mount
- Rough-In Kit Must Also be Ordered to Complete Installation (R62707 For Three Hole and R64707 For Four Hole)

### STANDARD SPECIFICATIONS:

- Trim Only for two handle Roman Tub faucet for concealed mounting
- Temperature and volume controlled with handles.
- Rough-in kit must also be ordered to complete installation (R62707 for three hole and R64707 for four hole). There are separate specification sheets on each rough-in kit if more details are required.
- Handshower includes double check valves for backflow prevention (T67490-LHP)
- Handshower maximum 1.75 gpm @ 80 psi, 6.6 L/min @ 550 kPa
- Minimum 5" (127 mm) to maximum 8" (203 mm) distance between holes
- LHP - Less Handle Program. See handle options below

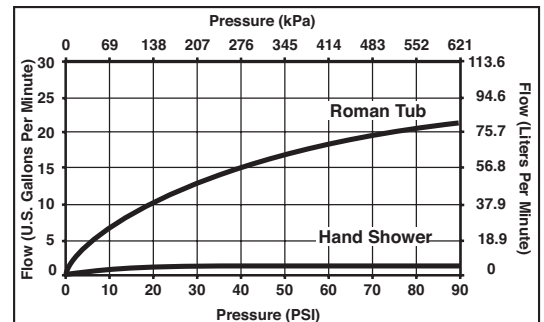
### WARRANTY

- Lifetime limited warranty on parts (other than electronic parts and batteries) and finishes: or, for commercial users, for 5 years from date of purchase.
- 5 year limited warranty on electronic parts (other than batteries); or, for commercial users, for 1 year from the date of purchase. No warranty is provided on batteries.



### COMPLIES WITH:

- ASME A112.18.1 / CSA B125.1
- Indicates compliance to ICC/ANSI A117.1 - Valve control only
- EPA WaterSense® - Applies to handshower only - RP70609\*



Brizo Kitchen & Bath Company reserves the right (1) to make changes in specifications and materials, and (2) to change or discontinue models, both without notice or obligation. Dimensions are for reference only. See current full-line price book or www.brizo.com for finish options and product availability.